


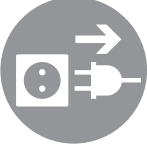






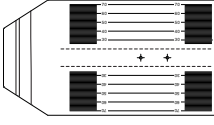
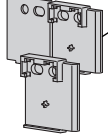



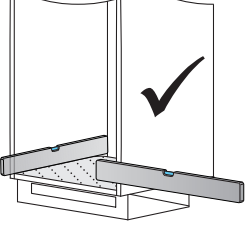
**1...15**

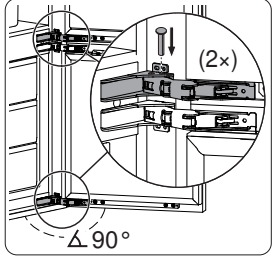



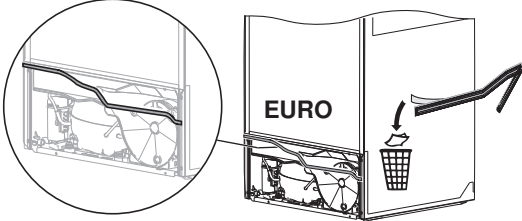





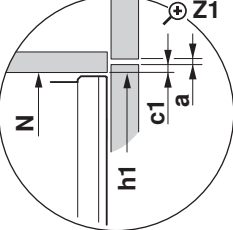




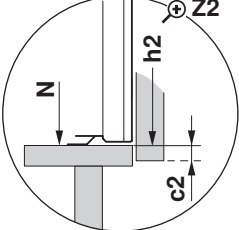
$\Delta 90^\circ$



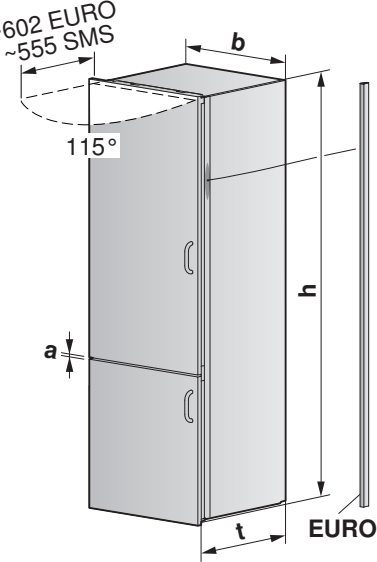
EURO



Z1



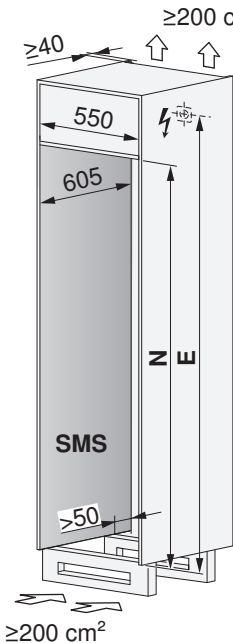
Z2



~602 EURO  
~555 SMS

115°

EURO



$\geq 40$

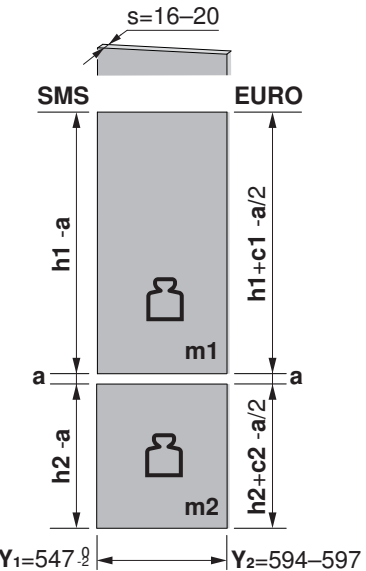
$\geq 200 \text{ cm}^2$

SMS

N E

$> 50$

$\geq 200 \text{ cm}^2$



s=16-20

SMS EURO

h1 - a

a

h2 - a

m1

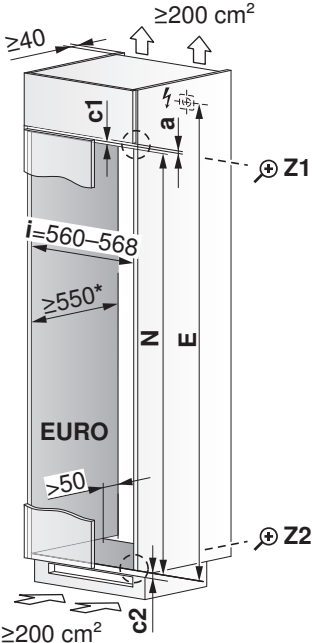
m2

h1 + c1 - a/2

h2 + c2 - a/2

Y1=547

Y2=594-597



$\geq 40$

$\geq 200 \text{ cm}^2$

c1

a

i=560-568

$\geq 550^*$

N E

$> 50$

$\geq 200 \text{ cm}^2$

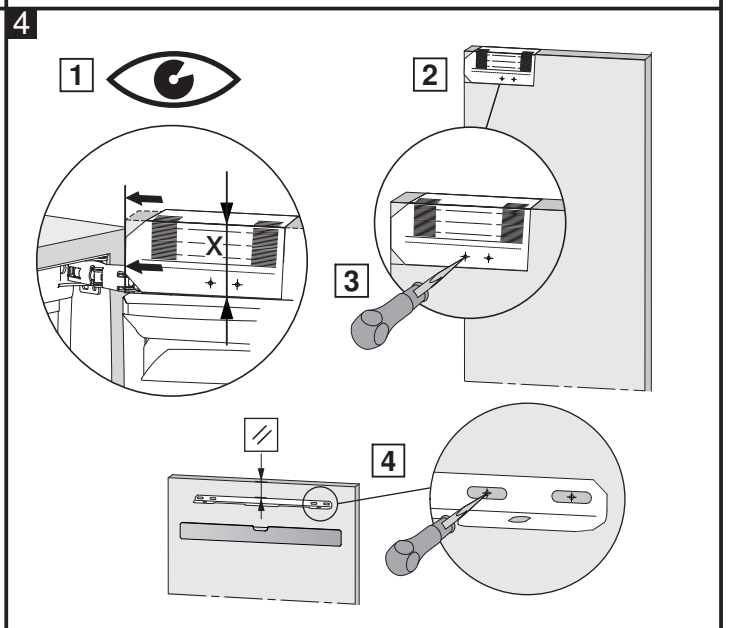
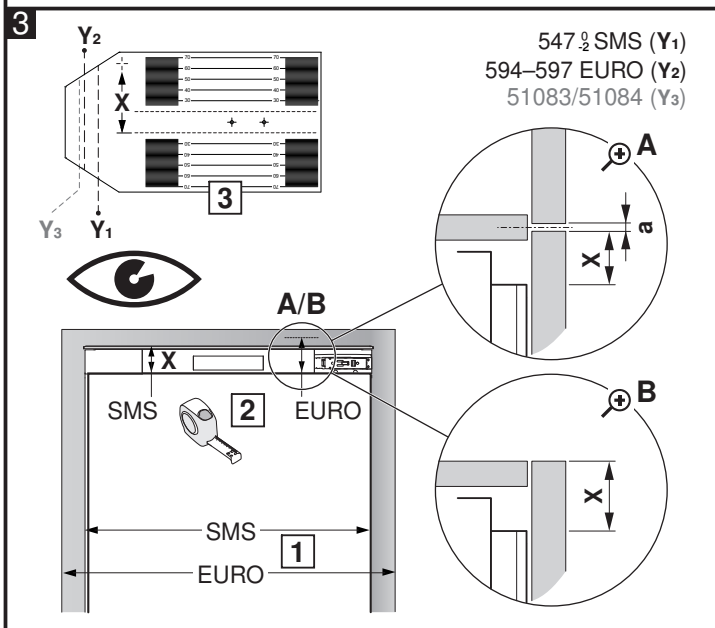
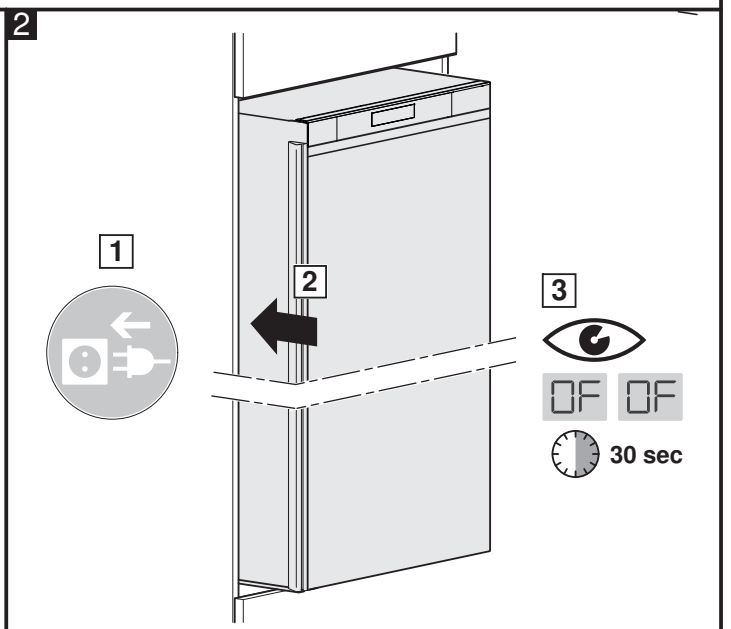
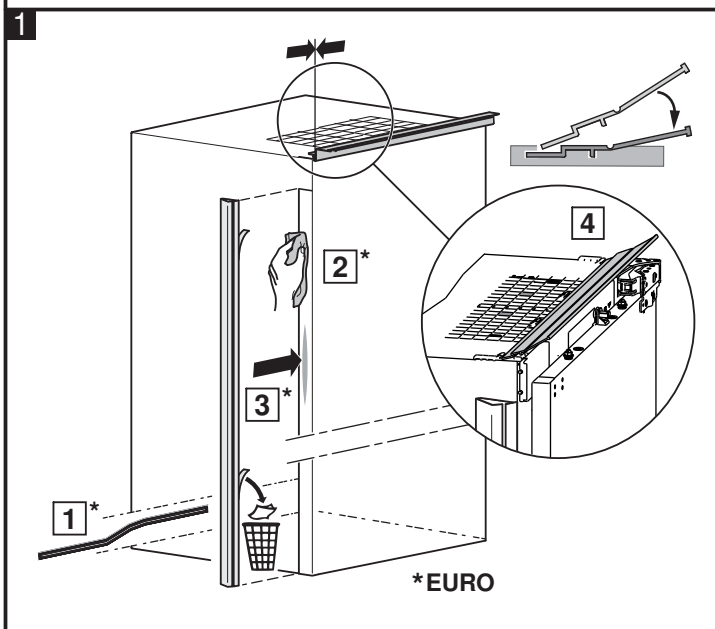
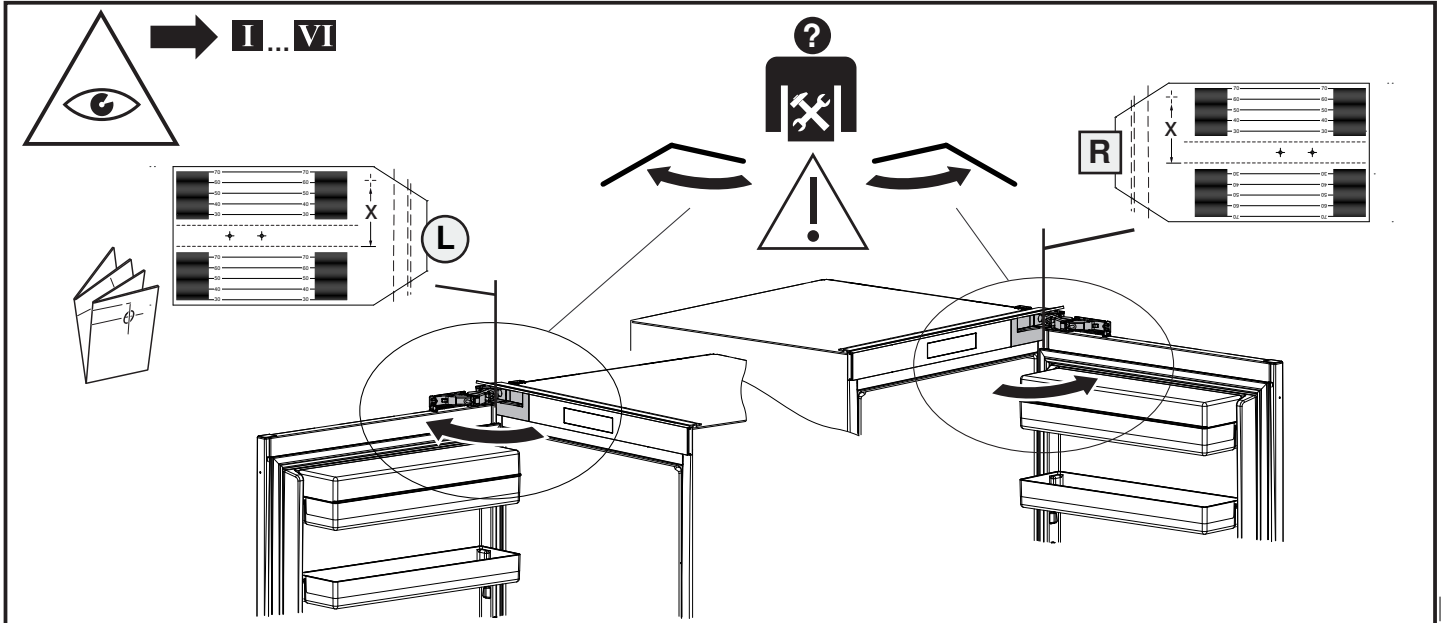
Z1

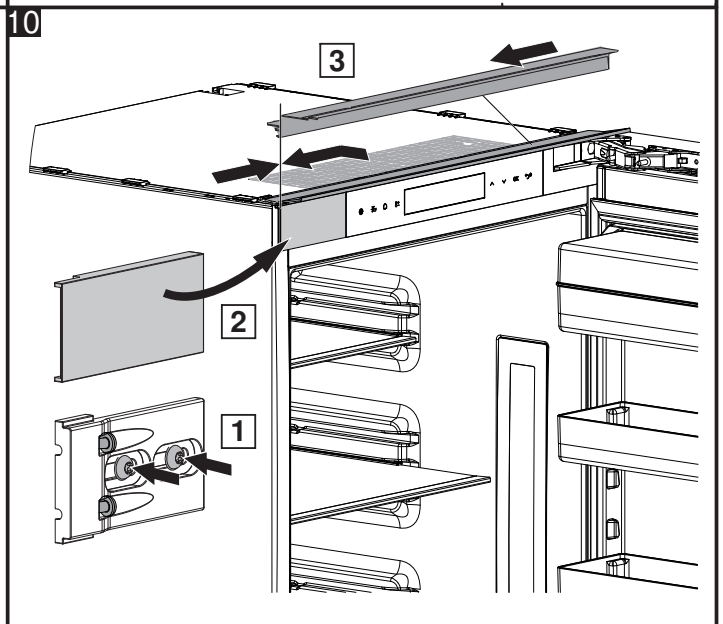
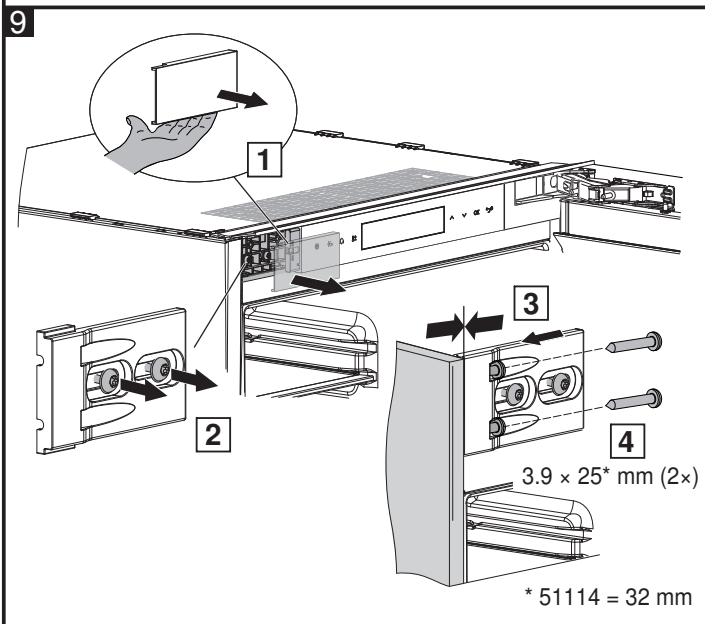
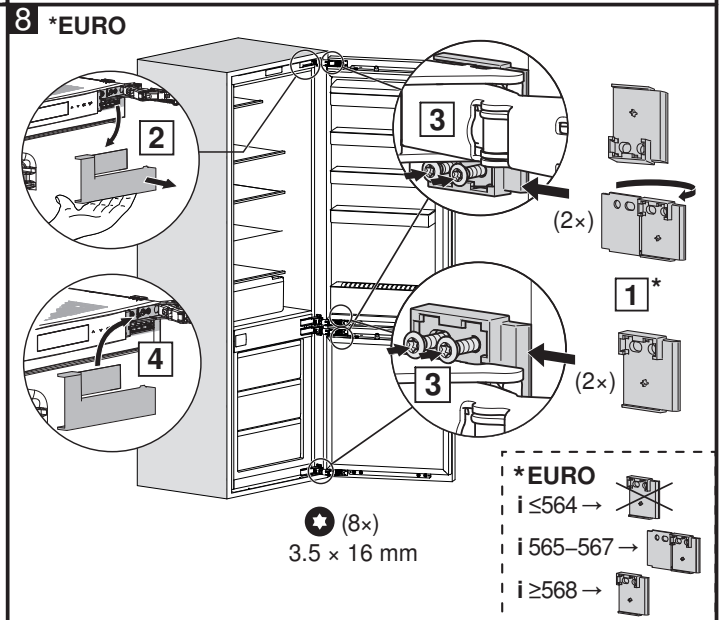
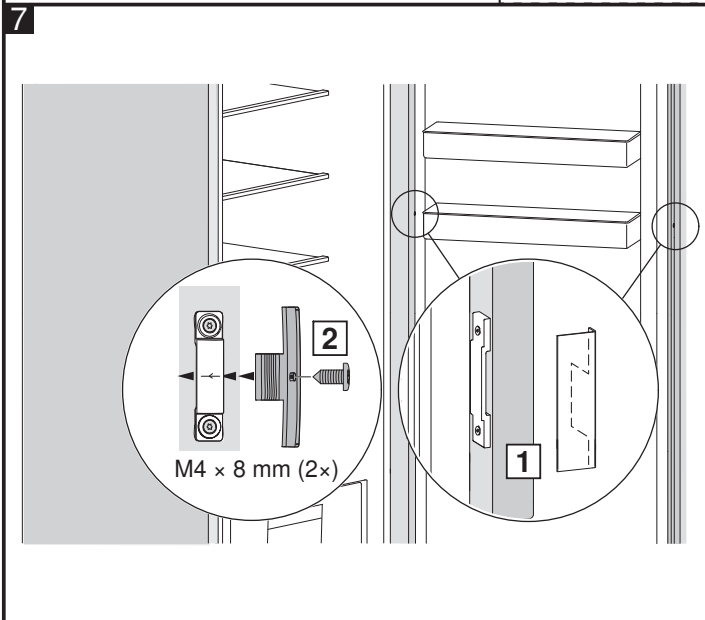
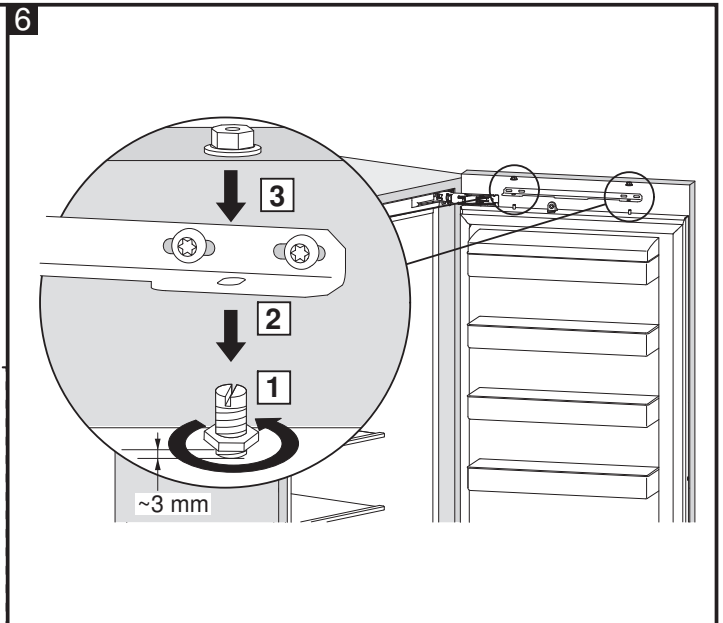
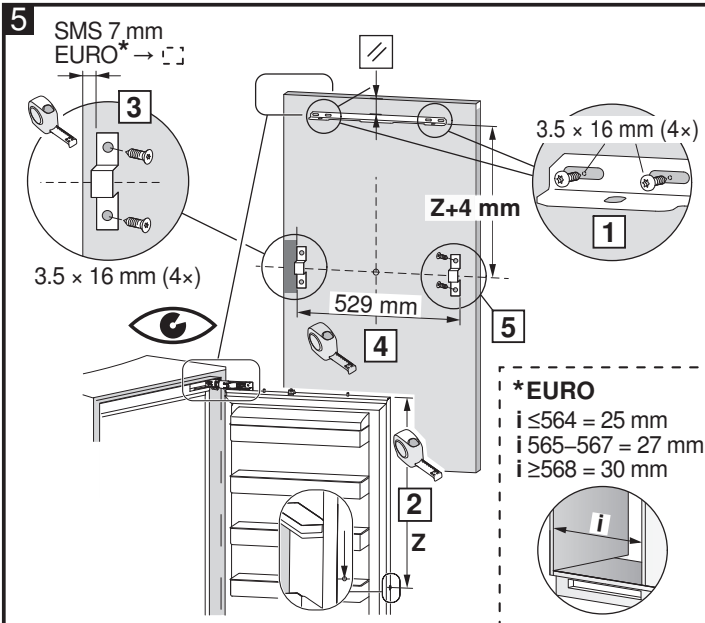
Z2

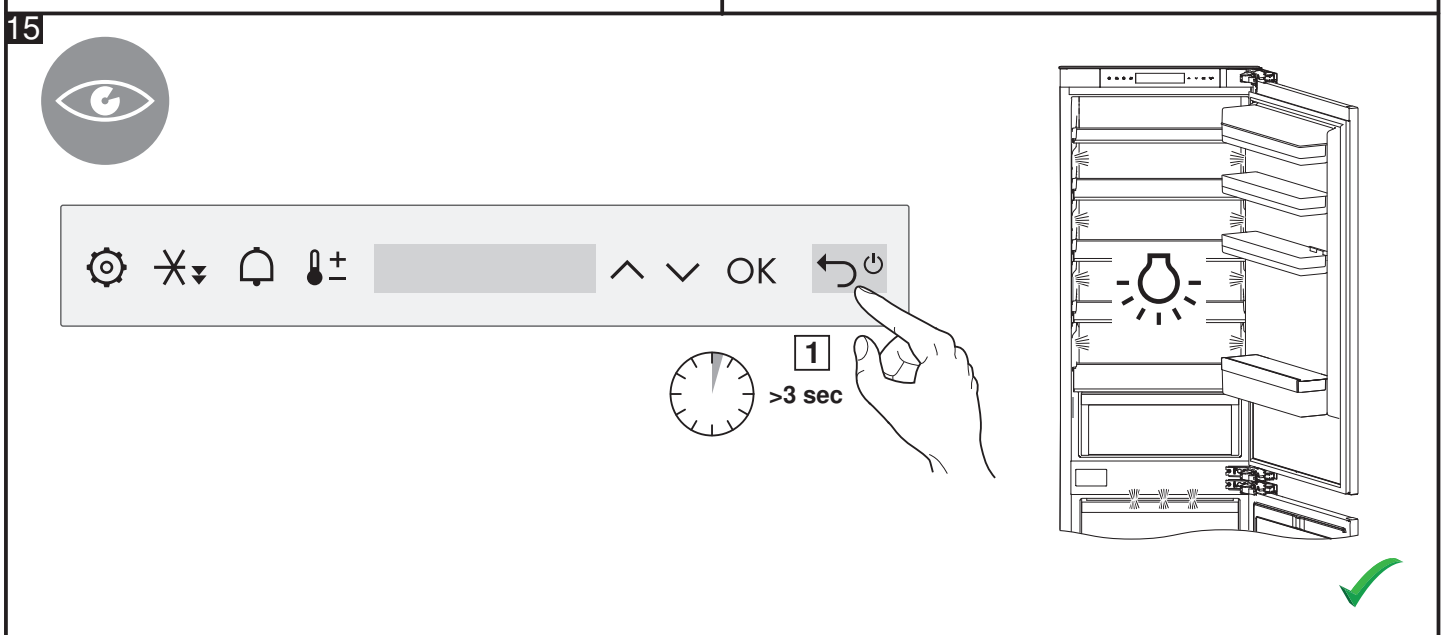
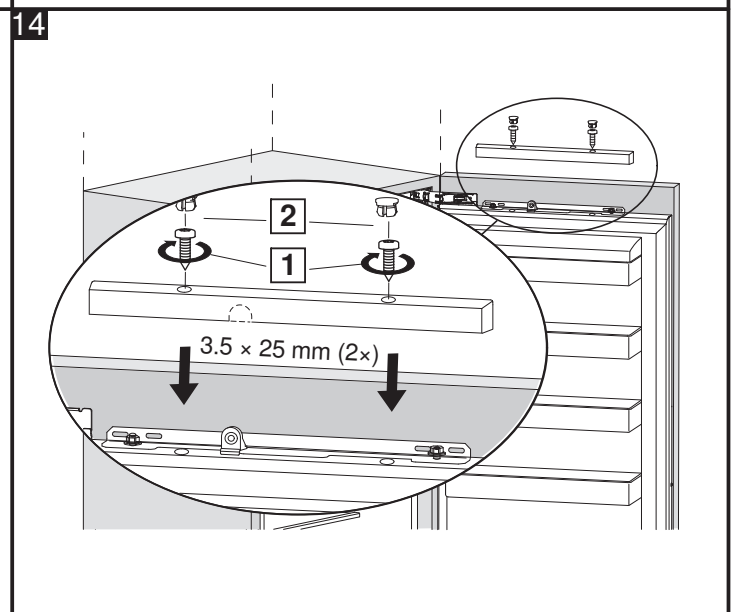
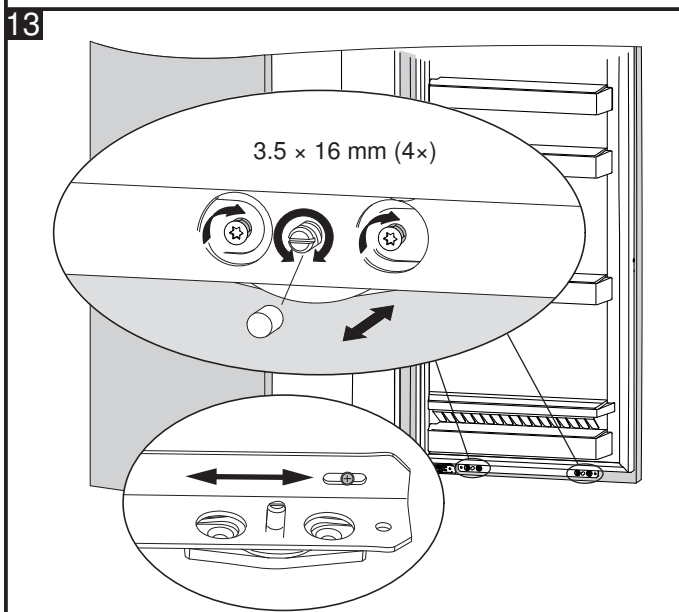
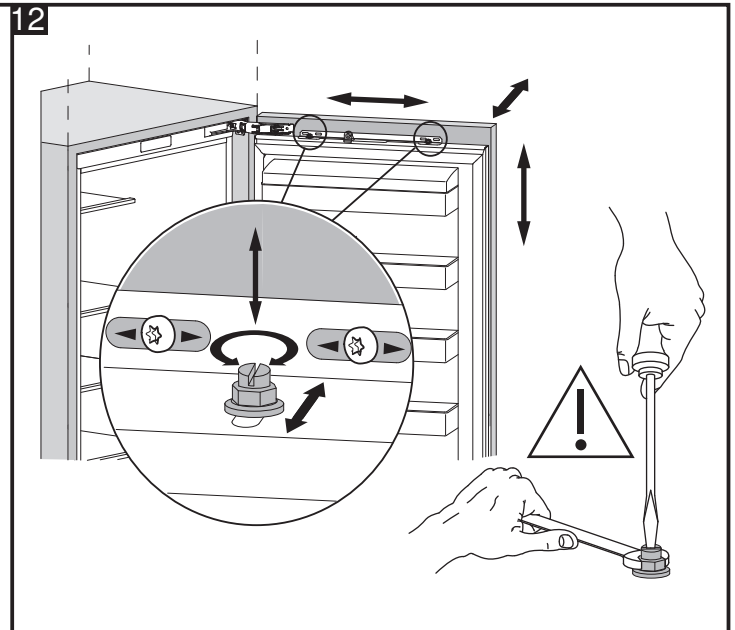
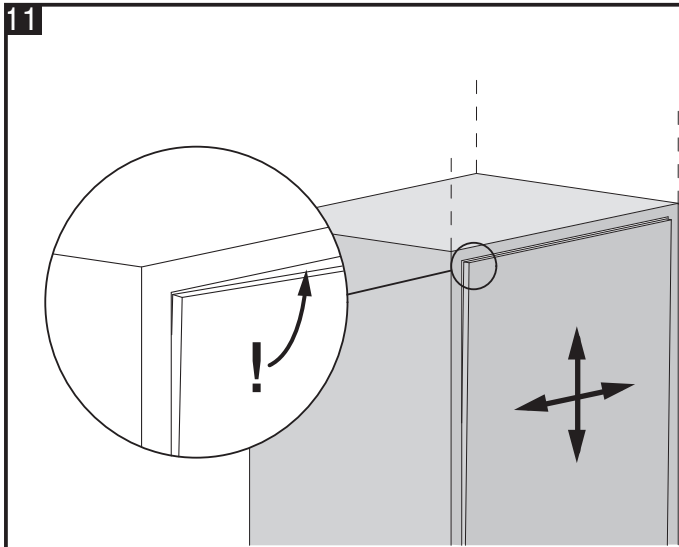
c2

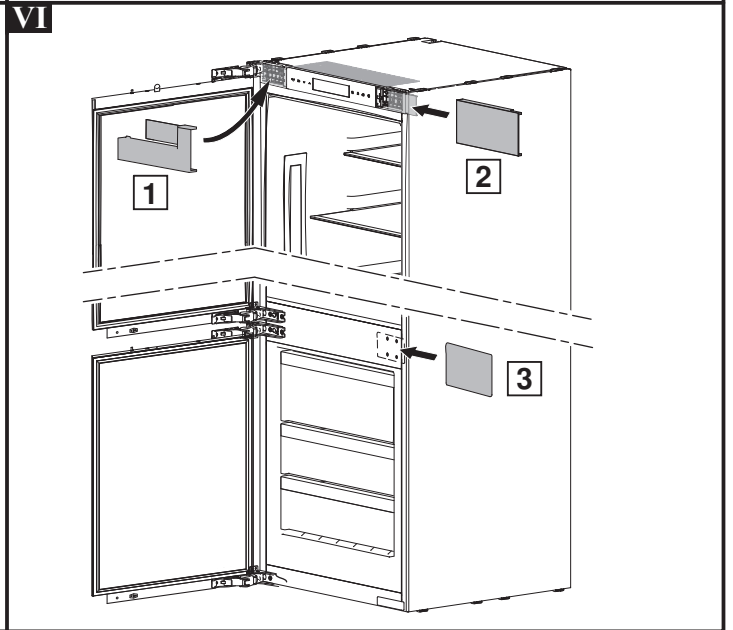
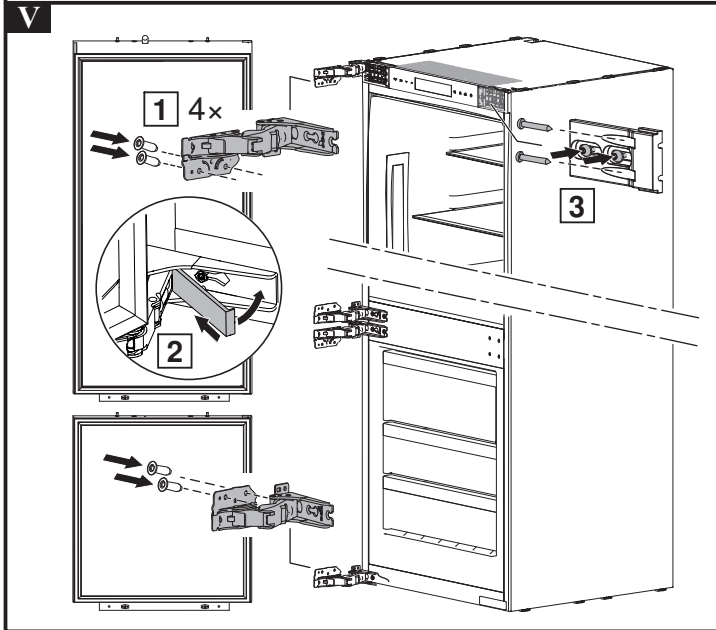
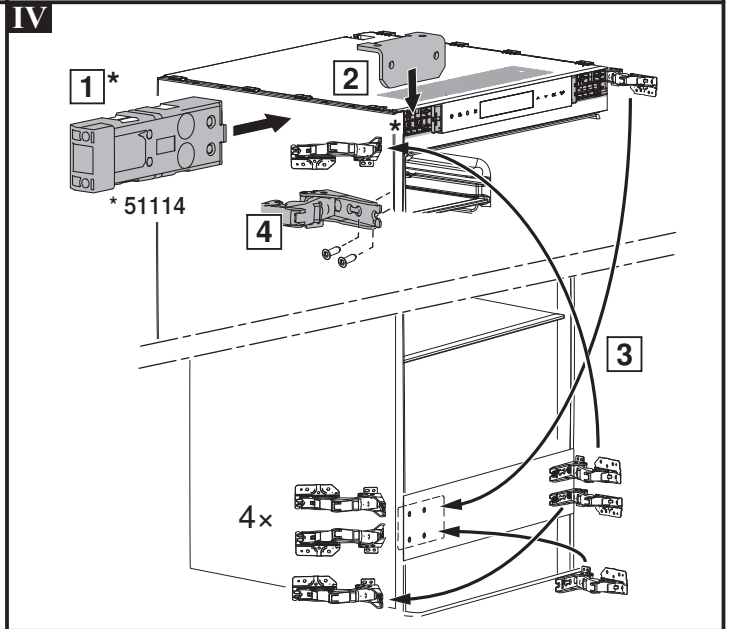
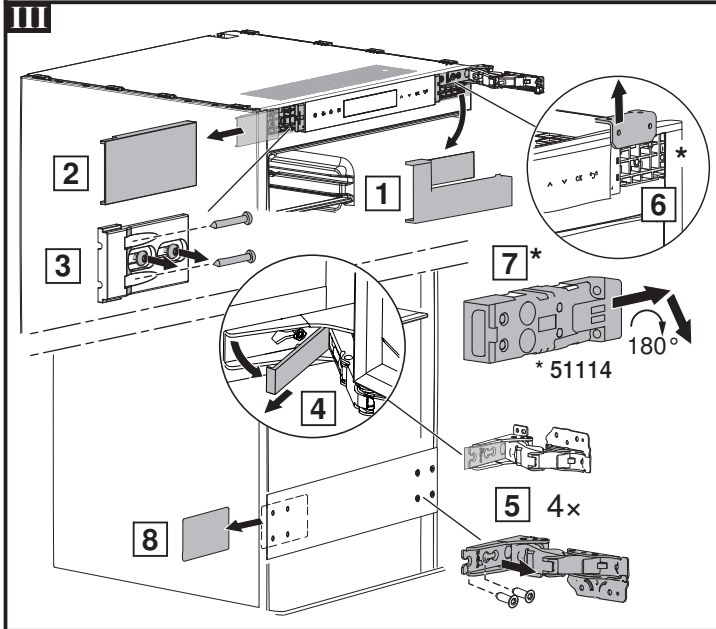
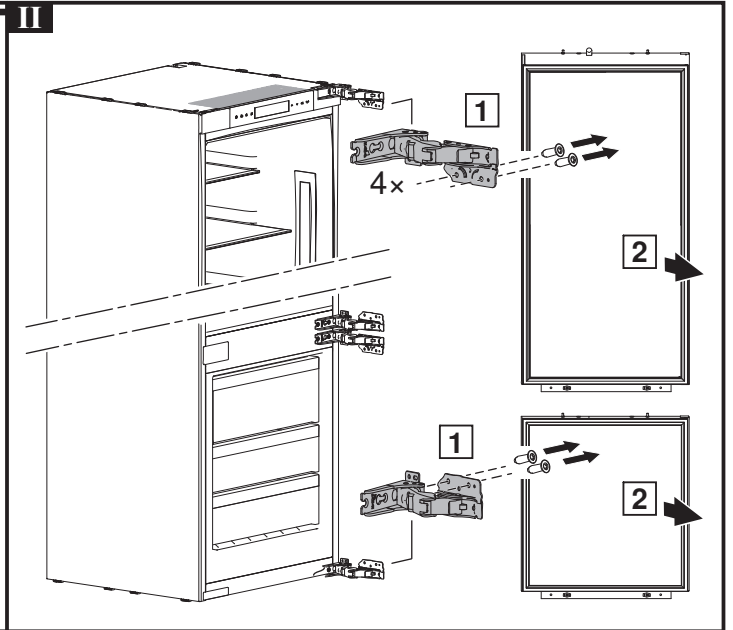
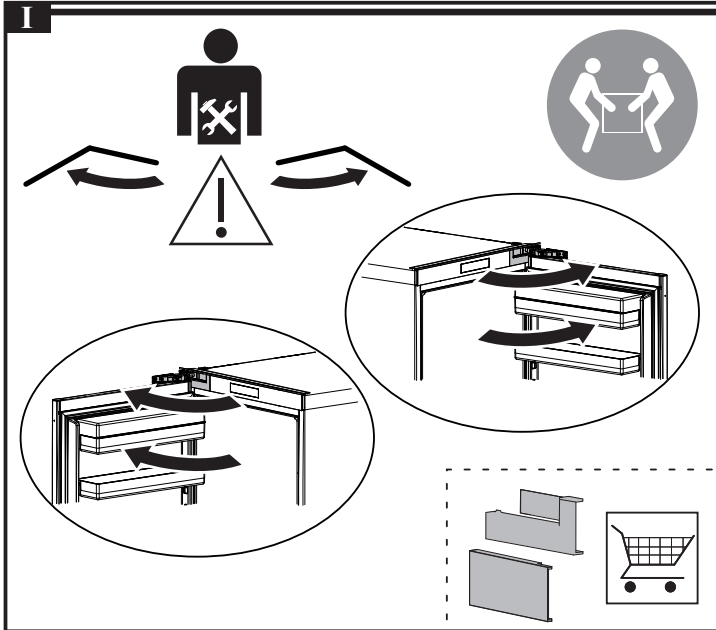
(\*)  $> 560 \text{ mm}$  ✓  $550-560 \text{ mm}$  ✓  $< 550 \text{ mm}$  ✗

h [mm]	t [mm]	b [mm]	h1 [mm]	h2 [mm]	N [mm]	E [mm]	m1/m2 [≤kg]	SMS	EURO
1522 (12/6)	545	548	886	638	1524 <sup>+2</sup>	1850	15 / 12	x	x
1776 (14/6)	545	548	1140	638	1778 <sup>+2</sup>	2050	17.5 / 12	x	x











1061557-05

24.04.2023

10181480

---

